



5th generation mobile communication system sub 6 GHz compatible

5G

SUB6GHz

600 MHz to 6 GHz band antenna coupler

FA-600 / FA-600N

patent applied for

One for 5G (sub 6) / 4G / 3G / wireless LAN
Line up with NFC equipped model



FA-600N Normal model

◆ specification

Model number	: FA-600 (Normal model) / FA-600N (NFC model)
Frequency band	: 600 MHz to 6 GHz
V.S.W.R	: 1.8 or less
Polarization wavefront	: linearly polarized wave
Transmission maximum power	: 5 W or less (at CW)
Connector	: SMA-J : MiniUSB (NFC loaded model)
Exterior	: Flame retardant ABS resin (white)
Dimension	: W80.6 x H23.5 x D100.6



FA-600N NFC model

Specifications and appearance are subject to change without notice for improvement. Please note.

MORITATECH

5th generation mobile communication system sub 6 GHz compatible 600 MHz to 6 GHz band antenna coupler

Besides the frequency of mobile communication (800 MHz, 1.5 GHz, 1.7 GHz, 2 GHz, etc.), it is compatible with a compact wideband 600 MHz to 6 GHz compatible with the frequency to be used in the 5th generation mobile communication system (commonly called sub 6 GHz) It is an antenna coupler.

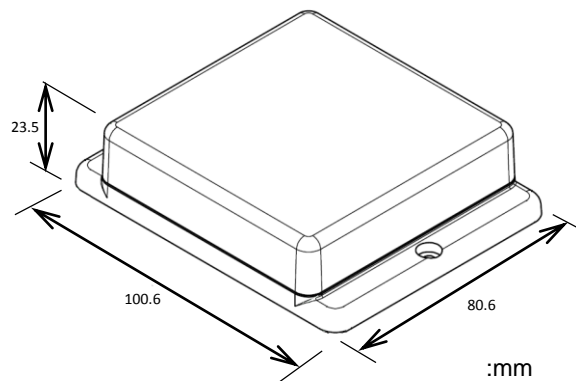
Combined with our 28 GHz band antenna coupler or 43 GHz compatible antenna coupler, the test system corresponding to all frequencies covered by portable mobile communication can be built with desktop size shield box.

In addition, models with NFC are also available. You can also do NFC test at the same time.

◆ Return loss (Reference characteristics under development)

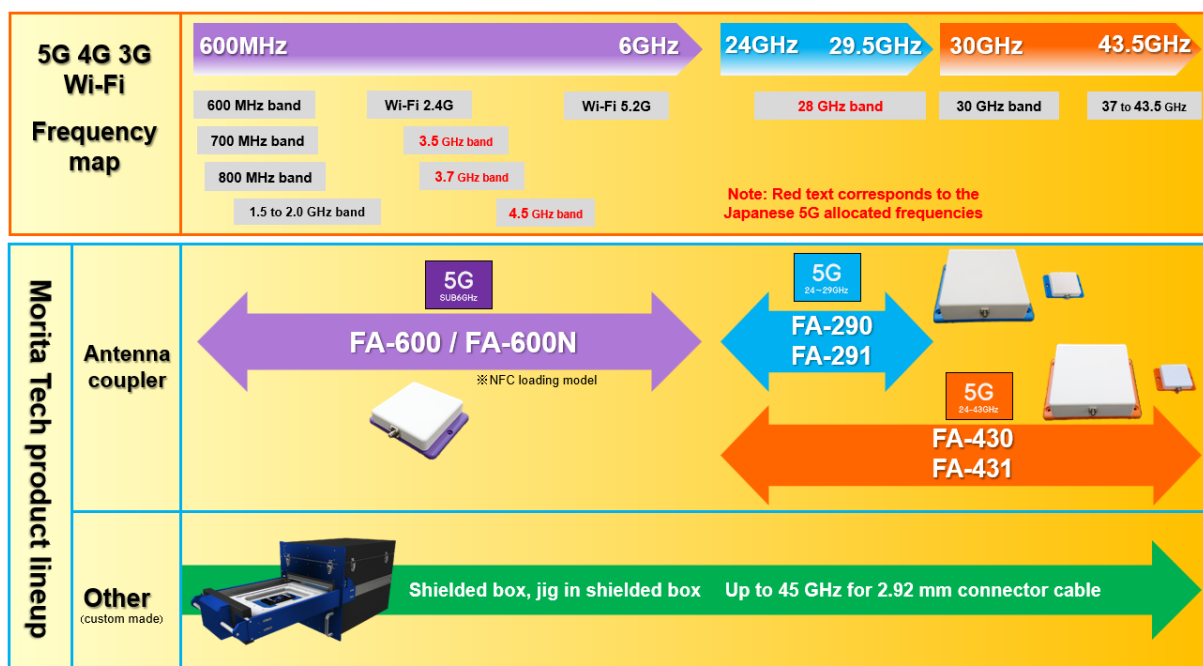


◆ External dimensions



◆ Introduction

Morita Tech 5G component map



Specifications and appearance are subject to change without notice for improvement. Please note